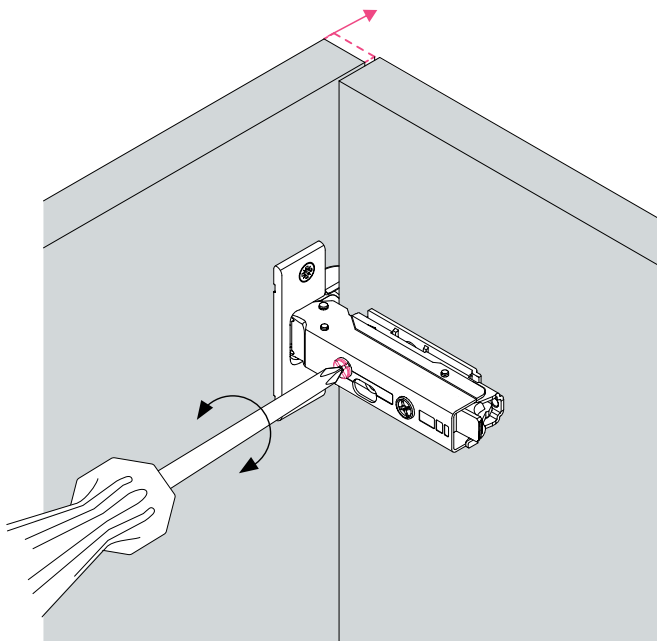
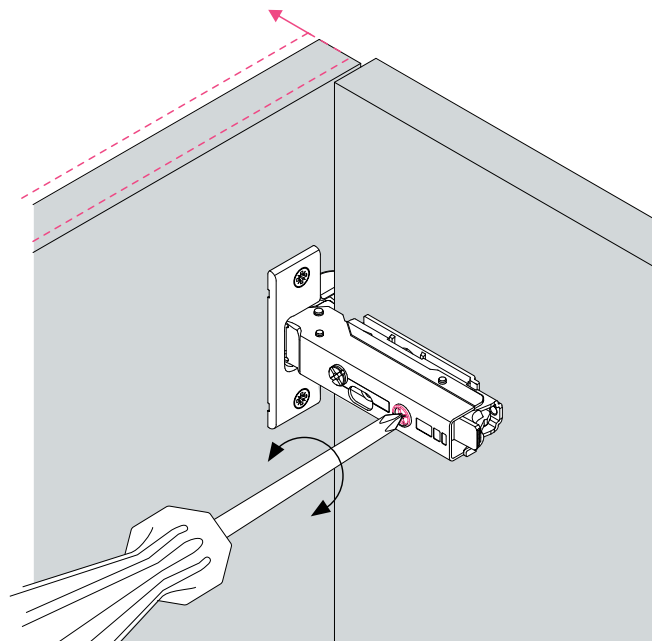


ADJUSTMENT OF HINGES



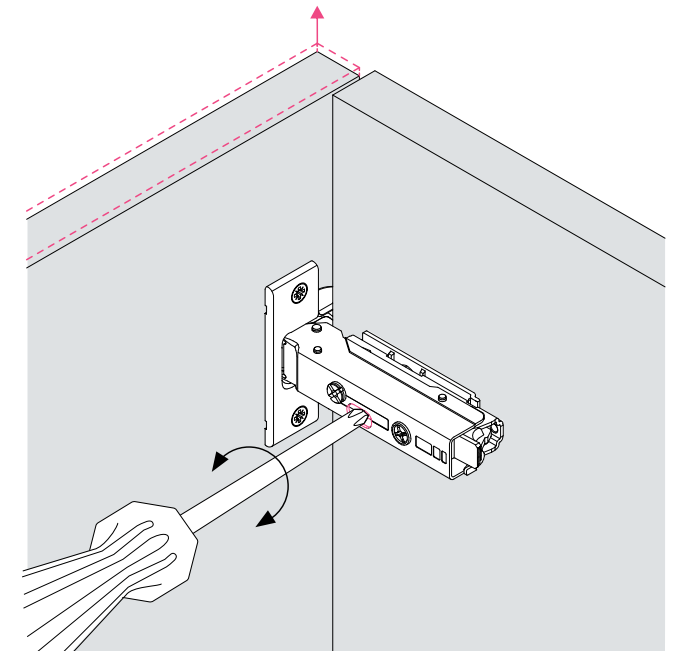
Lateral adjustment

with stop limit ± 2 mm



Depth adjustment

via threaded screw + 3/- 2 mm



Height adjustment

via mounting plate ± 2 mm